

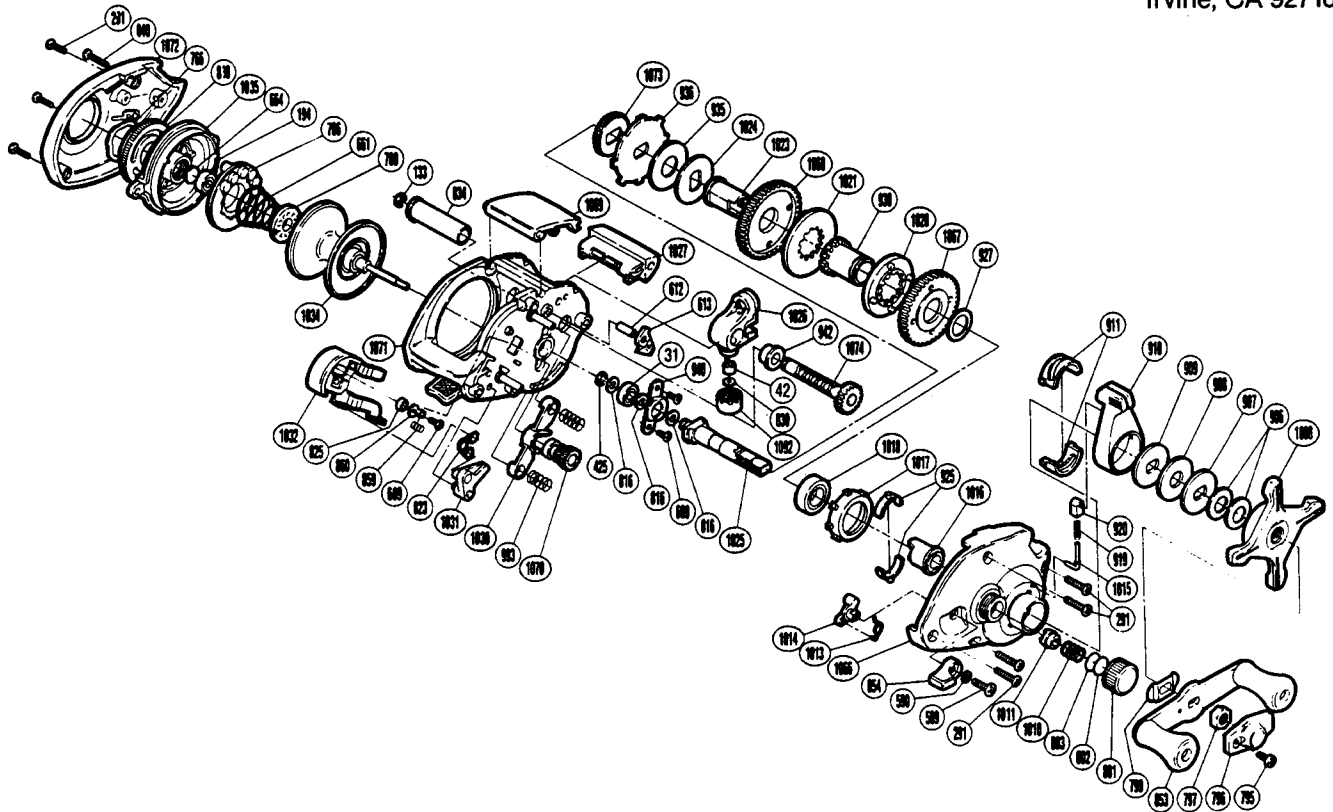
EXPLODED PARTS VIEW

Bantam *Beast Master* VR

SHIMANO®

1990 REPAIR MANUAL

Shimano American Corporation, One Shimano Dr.
Irvine, CA 92718



TO ORDER: USE BNT PREFIX
WITH PART NUMBER

PARTS LIST

BNT #	DESCRIPTION	BNT #	DESCRIPTION	BNT #	DESCRIPTION
0031	Spool Shaft Bearing	0834	Level Wind Guard	1014	Flipping Cam
0042	Line Guide Pawl	0838	Magnetic Control Dial	1015	Shift Spring Guide [A]
0133	Worm Shaft Retainer	0840	Left Side Plate Screw	1016	Drag Shaft [B]
0194	Ball Bearing	0853	Handle Assembly	1017	Bearing Holder
0291	Side Plate Screw	0854	Flipping Lever	1018	Drive Shaft Bearing [B]
0425	Clutchbutton Lock	0859	Flipping Retractor Spring	1020	Shift Clutch [L]
0589	Flipping Lever Screw	0860	Yoke Plate Washer [B]	1021	Shift Clutch [H]
0590	Lock Washer	0906	Coned Disc Spring	1023	Drag Shaft [A]
0609	Drive Shaft Retainer Screw	0907	Key Washer [A]	1024	Drive Shaft Washer
0612	Anti-Reverse Pawl Pin	0908	Drag Washer [D]	1025	Drive Shaft
0613	Anti-Reverse Pawl	0909	Key Washer [C]	1026	Line Guide
0661	Magnet Retainer Spring	0910	Shift Lever	1027	Level Wind Protector
0664	Spacer [B]	0911	Shift Cam	1030	Yoke
0706	Magnet Retainer	0919	Shift Spring	1031	Joint Plate
0766	Dial Friction Washer	0920	Shift Spring Guide [B]	1032	Clutch Button
0780	Magnet Retainer Lock	0925	Shift Arm	1034	Spool Assembly
0795	Handle Nut Plate Screw	0927	Drive Gear Washer	1035	Dial Case
0796	Handle Nut Plate	0930	Shift Sleeve	1066	Right Side Plate
0797	Handle Nut	0935	Drag Washer [A]	1067	Drive Gear [L]
0799	Friction Washer	0936	Anti-Reverse Ratchet	1068	Drive Gear [H]
0801	Cast Control Cap	0940	Drive Shaft Retainer	1069	Thumb Rest
0802	Spool Tension Spacer [B]	0942	Worm Bearing	1070	Pinion Gear
0803	Spool Tension Spacer [A]	0993	Yoke Spring	1071	One-Piece Frame
0816	Drive Shaft Washer	1008	Star Drag	1072	Left Side Plate
0823	Retractor Spring	1010	Spool Tension Spring	1073	Idle Gear
0825	Yoke Plate Washer [A]	1011	Spool Shaft Bushing [A]	1074	Worm Shaft
0830	Spacer [Optional]	1013	Cam Spring		